

OmniReach® FTTX Solutions

RealFlex™ 5 Drop Cables



ADC's new RealFlex™ Drop Cables are an ideal solution for the unique challenges encountered in the diversity of multiple tenant unit (MTU) and multiple dwelling unit (MDU) FTTX deployments. RealFlex Drop Cables allow for a bend radius as small as 7.5 mm without changing attenuation characteristics of the cable and improve insertion loss (IL) performance for 90 degree bend locations. With the average MTU or MDU installation including as many as seven 90 degree turns, this new cable greatly reduces the risk to bend induced IL during installation. In addition to the improved bend radius performance, the rugged cable construction provides the flexibility and durability to withstand the most demanding applications. The rugged indoor/outdoor cables can also be stapled*, allowing for fast and easy securing of cables to most surfaces. The RealFlex 5 cable construction allows the technician to staple around tight corners without compromising insertion loss performance.

ADC's RealFlex 5 Drop Cables uses 5.0 mm cable with reduced bend radius fiber for optimal performance in the most constraining installation environments and full sized hardened connectors for fast service turn-up. The hardened connectors are environmentally sealed and terminated in the factory to produce the highest reliability standards. Multiple dwelling units and commercial business applications are ideal environments for this indoor/outdoor reduced bend radius hardened drop cable.

Features and Benefits:

- Bend radius as small as 7.5 mm without changing cable characteristics
- Greatly reduces risk to bend induced insertion loss created during installation
- Rugged 5.0 mm indoor/outdoor cable jacket is composed of Low-Smoke Zero-Halogen rated materials and incorporates water swellable yarns
- Available in a variety of connector types, including legacy full sized hardened connector and SC/APC

*Refers to round cable type staples applied with a handheld staple gun

SPEC SHEET



www.adc.com • +1-952-938-8080 • 1-800-366-3891

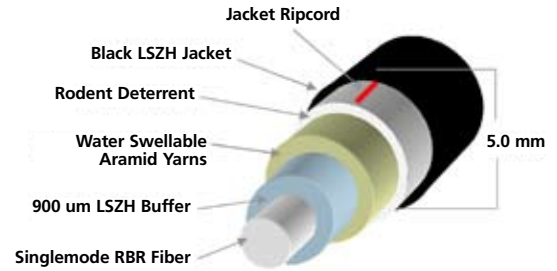


OmniReach® FTTX Solutions

RealFlex™ 5 Drop Cables



RealFlex 5 hardened drop 90 degree bend



1 / 1 0 • 1 0 6 5 0 1 A E OmniReach® FTTX Solutions

Specifications

Connector angle:	8°
Maximum insertion loss:	< 0.40 dB (at 1310, 1490, 1550 and 1625 nm wavelengths)
Minimum return loss:	65 dB (at 1310, 1490, 1550 and 1625 nm wavelengths)
Connector agency specifications:	Based on GR-3120
Optical fiber agency specifications:	ITU-T G.657 Table A and Table B compliant
Cable diameter:	5.0 ± 0.2 mm
Minimum bend installation:	50 mm (2.0")
Minimum bend unloaded:	7.5 mm (0.3")
Cable agency specifications:	IEC 61300-2; IEC 60332-1-2; Riser Rated, Low-Smoke Zero Halogen Jacket; RoHS, California Prop. 65
Environmental Characteristics	
Storage Temperature:	-40° to 75° C (-40° to 167° F)
Operating Temperature:	-40° to 75° C (-40° to 167° F)
Installation Temperature:	-30° to 60° C (-22° to 140° F)
Mechanical Characteristics	
Number of Fibers:	1
Maximum Tensile Load N (lbf)	
Short Term:	1000 (225)
Long Term:	500 (112)
Minimum Bend Radius mm (in.)	
Installed:	7.5 (.30)
Loaded:	50 (1.97)
Optical Performance	
Singlemode Reduced Bend Radius¹	
Maximum Attenuation (db/km) 1310 nm/1550 nm:	1.0/1.0
Typical Attenuation (db/km) 1310 nm/1550 nm:	0.4/0.3
Guaranteed Minimum Bandwidth (MHz/km) 1310 nm/1550 nm:	NA

¹Reduced Bend Radius Fiber allows the minimum bend radius to be cut in half and is compliant to ITU-T G.652.D, ITU-T G.657A&B, and IEC 60793-2-50 Type B.1.3

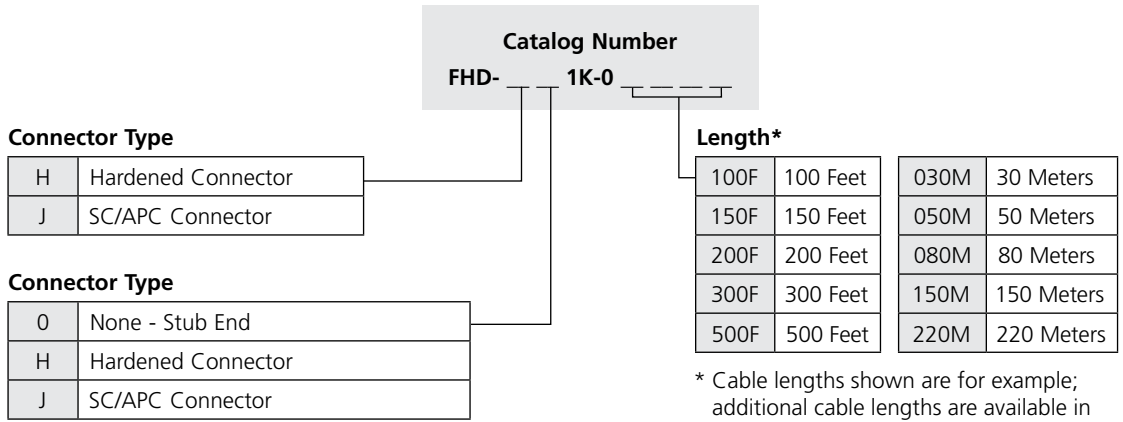


OmniReach® FTTX Solutions

RealFlex™ 5 Drop Cables

Ordering Information

1 / 10 • 1 0 6 5 0 1 A E OmniReach® FTTX Solutions



SPEC SHEET



Website: www.adc.com

From North America, Call Toll Free: 1-800-366-3891 • Outside of North America: +1-952-938-8080

Fax: +1-952-917-3237 • For a listing of ADC's global sales office locations, please refer to our website.

ADC Telecommunications, Inc., P.O. Box 1101, Minneapolis, Minnesota USA 55440-1101

Specifications published here are current as of the date of publication of this document. Because we are continuously improving our products, ADC reserves the right to change specifications without prior notice. At any time, you may verify product specifications by contacting our headquarters office in Minneapolis. ADC Telecommunications, Inc. views its patent portfolio as an important corporate asset and vigorously enforces its patents. Products or features contained herein may be covered by one or more U.S. or foreign patents. An Equal Opportunity Employer

106501AE 1/10 Revision © 2010, 2009, 2008 ADC Telecommunications, Inc. All Rights Reserved